

# 2016 LAYOUT GUIDES



## BUYER'S GUIDE

**RANGER**  
DESIGN

# Helping Mobile Technicians Work More Effectively by Providing Organized Storage Solutions

## At Ranger Design, we believe more is possible.

We believe work vehicles and the technicians that drive them can become more organized, more efficient, more productive and more profitable. At Ranger Design we're committed to bringing you the products and services that make that possible.

More means helping you choose the right work van for your

application, as well as giving you engineering support and expert advice to help design the most efficient work space in your new vehicle.

More also means getting that new van outfitted and on the road faster, so you can start using it for the reason you bought it.

We're committed to bringing you more, because we believe more is possible.



**MORE IS POSSIBLE**



## TABLE OF CONTENTS

GETTING STARTED .....	P. 8
LAYOUT GUIDES .....	P. 10

# A Product Line To Match Your Needs

Ranger Fleetline and Proline product groups ensure that fleets of any size have the best equipment to fit their budget, trade or fuel saving targets.



Ranger Fleetline shown



Ranger Proline shown

	<b>MATERIAL</b>	<b>BENEFITS</b>	<b>PRODUCTS</b>	<b>WARRANTY</b>
<b>WHY BUY RANGER FLEETLINE?</b> You want better quality and price than other steel products on the market.	Steel	Tough Low cost Quiet	Shelving, Partitions, Drawers, Accessories	3 years
<b>WHY BUY RANGER PROLINE?</b> You want the toughest, quietest product on the market. You need to optimize payload without sacrificing quality.	Aluminum	<b>Toughest</b> <b>Lightweight</b> <b>Quiet</b>	<b>Shelving, Partitions,</b> <b>Drawers, Accessories,</b> <b>Ladder Racks</b>	<b>10 years</b>

\*Ranger Design Inc. van equipment is warranted to be free from defects in material and workmanship under normal use and service for the period indicated, from the date of the original retail purchase, when installed per Ranger Design instructions.

Throughout the catalog **FLEETLINE** products are depicted with yellow and **PROLINE** products with black.

**1-800-565-5321**  
7 A.M. – 8 P.M. EST

# World Class Customer Service



## Real people, ready to answer in 2 rings or less\*

We are pleased to offer efficient, personalized service and to answer all questions regarding:

- › Pricing/Quoting
- › Product install
- › Order status
- › Consultation
- › Shipment status
- › New product availability
- › Product specifications
- › Warranty claims
- › Returns/Restocking
- › Vehicle specifications

\*Call customer service and the phone will be answered in 2 rings or less. Yes, a real, live person working in one of our offices in North America is available to answer your questions. No automated attendant. No complicated phone tree and offshore service. Call us to experience the difference.

# Over 300 Distributors Across the Continent



## Regular Order

## Quickship Order

**How to Order**

Contact one of our 300 distributors  
[rangerdesign.com/find-dealer](http://rangerdesign.com/find-dealer).

Ranger Quickship service is available through your local distributor.

**Lead Time**

Orders ship from our factory within 5 business days.

Orders placed with Ranger before 1PM EST will ship from our factory in the next business day.



Throughout the catalog products and packages with this symbol can be ordered through our Quickship service.

# Turn-Key Fleet Services



## Ship Through or Local Installation Across North America for all Types of Cargo Vans

We are pleased to offer efficient, personalized service and to answer all questions regarding:

### 1. Analysis

- › Cargo Needs Analysis
- › Custom 3D CAD Layouts
- › Hands-on Equipment Demo

### 2. Testing

- › Test Fitting
- › Pilot Build and Review
- › Optimize Package Based on Technician Feedback

### 3. Delivery

- › Delivery, Production and Installation Planning and Scheduling
- › Vehicle Status Tracking

### 4. Service

- › Dedicated Fleet Account Management Team
- › 300 Ranger Dealers Service Support Network
- › Live Customer Service

# Take a few minutes to write down these simple steps

## Plan your storage zones

For how long do you plan to use the vehicle?  A year  2–5 years  10 years or more (see page 4)

Will payload capacity be an issue?  Yes  No Why? \_\_\_\_\_

What type of industry are you in? \_\_\_\_\_

### What kind of partition do I need?

Do I need to see my cargo?  Yes  No

Do I need the ability to go from the cabin to the cargo area through the partition?  Yes  No

### List the equipment/products you will need to store

Place the items that you need most often in the most accessible locations.

---

---

---

---

---

---

---

---

### How often will you use this?

Daily	Weekly	Monthly
<input type="checkbox"/>	<input type="checkbox"/>	<input type="checkbox"/>
<input type="checkbox"/>	<input type="checkbox"/>	<input type="checkbox"/>
<input type="checkbox"/>	<input type="checkbox"/>	<input type="checkbox"/>
<input type="checkbox"/>	<input type="checkbox"/>	<input type="checkbox"/>
<input type="checkbox"/>	<input type="checkbox"/>	<input type="checkbox"/>

### Zone

A - B - C - D - E

---

---

---

---

---

---

---

---

Will I need to carry larger objects  Yes  No

### List the tools you will need to carry

Place heavy tools closest to the access doors.

---

---

---

---

---

---

---

---

### How often will you use this?

Daily	Weekly	Monthly
<input type="checkbox"/>	<input type="checkbox"/>	<input type="checkbox"/>
<input type="checkbox"/>	<input type="checkbox"/>	<input type="checkbox"/>
<input type="checkbox"/>	<input type="checkbox"/>	<input type="checkbox"/>
<input type="checkbox"/>	<input type="checkbox"/>	<input type="checkbox"/>
<input type="checkbox"/>	<input type="checkbox"/>	<input type="checkbox"/>
<input type="checkbox"/>	<input type="checkbox"/>	<input type="checkbox"/>

### Zone

A - B - C - D - E

---

---

---

---

---

---

---

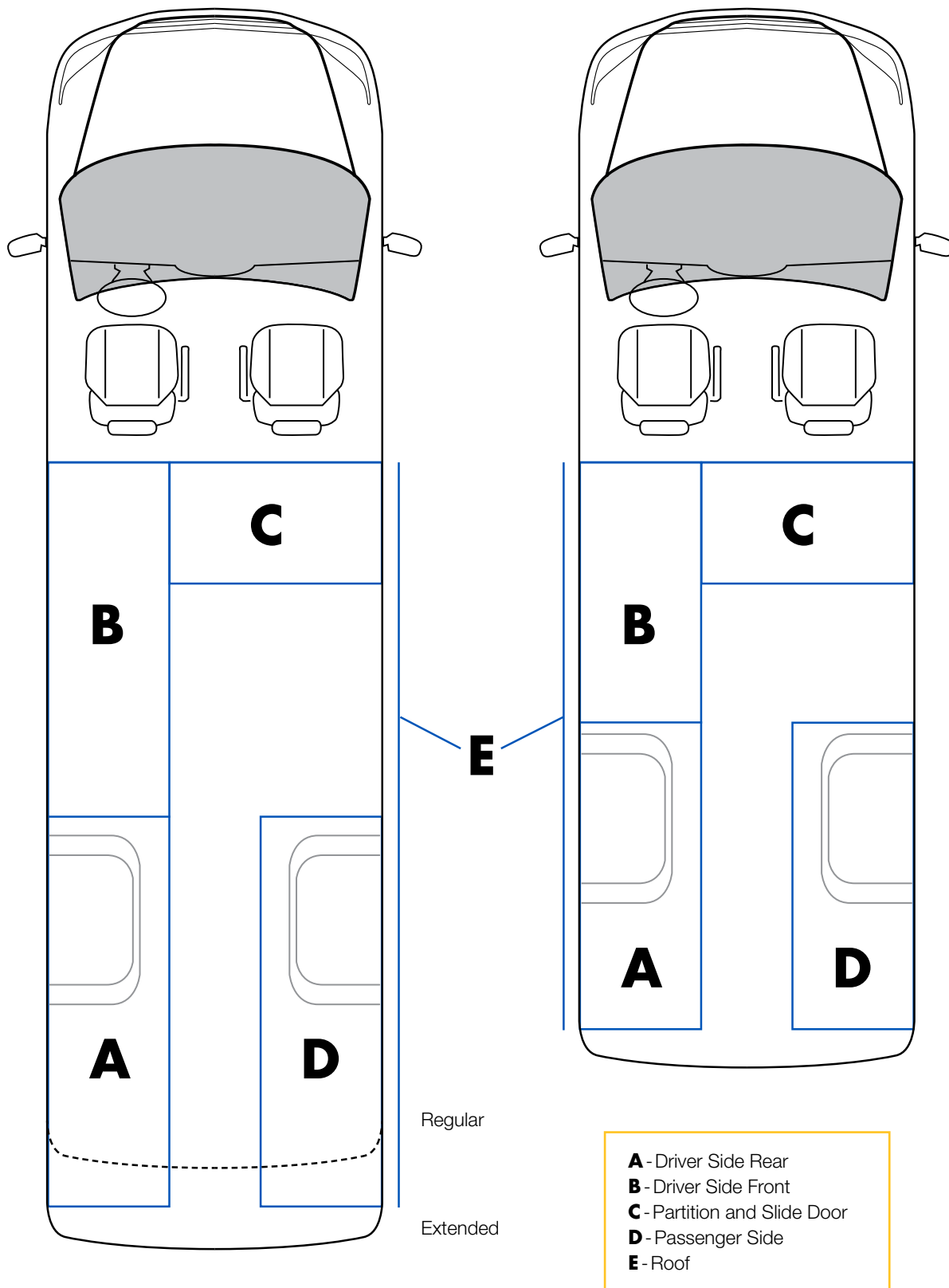
---

What kind of ladder(s) will I be carrying?  Step ladder  Extension ladders

Is my vehicle roof height a problem?  Yes  No



# Storage Zones



# How to use the layout guide

## INSIDE ROOF HEIGHT

To determine the maximum shelf height that can be used in the van.

## PARTITION DEPTH

This indicates the space taken up by our partition for this vehicle. Please note that this measurement is determined by the partition that encroaches the most. Some partitions may take up less space. Take note that this measurement may not necessarily be on the floor.

## DOOR OPENING

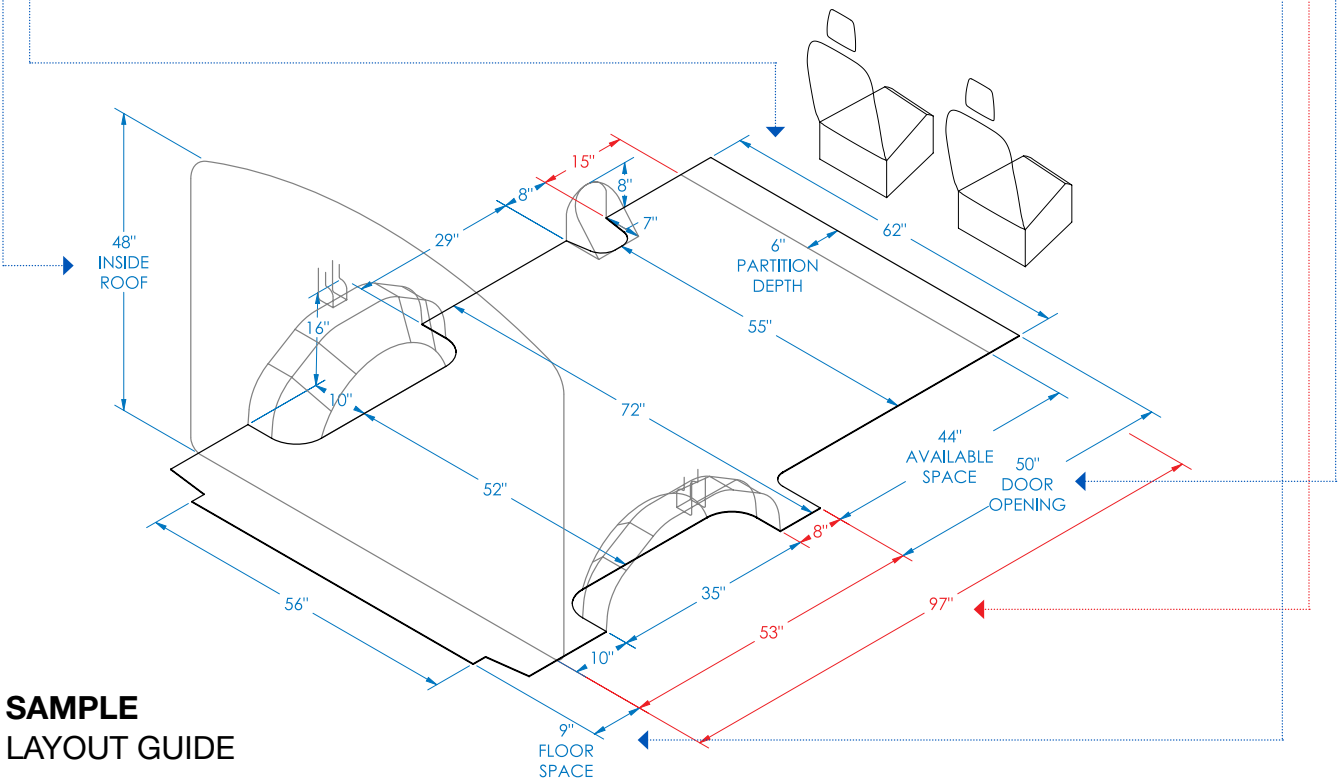
To determine where shelving will land in relation to the door opening. Use this measurement to determine the space available for drawer units.

## DIMENSIONS IN RED

These dimensions indicate unique measurements for each wheelbase. Use red dimensions to determine the exact wheelbase of your van.

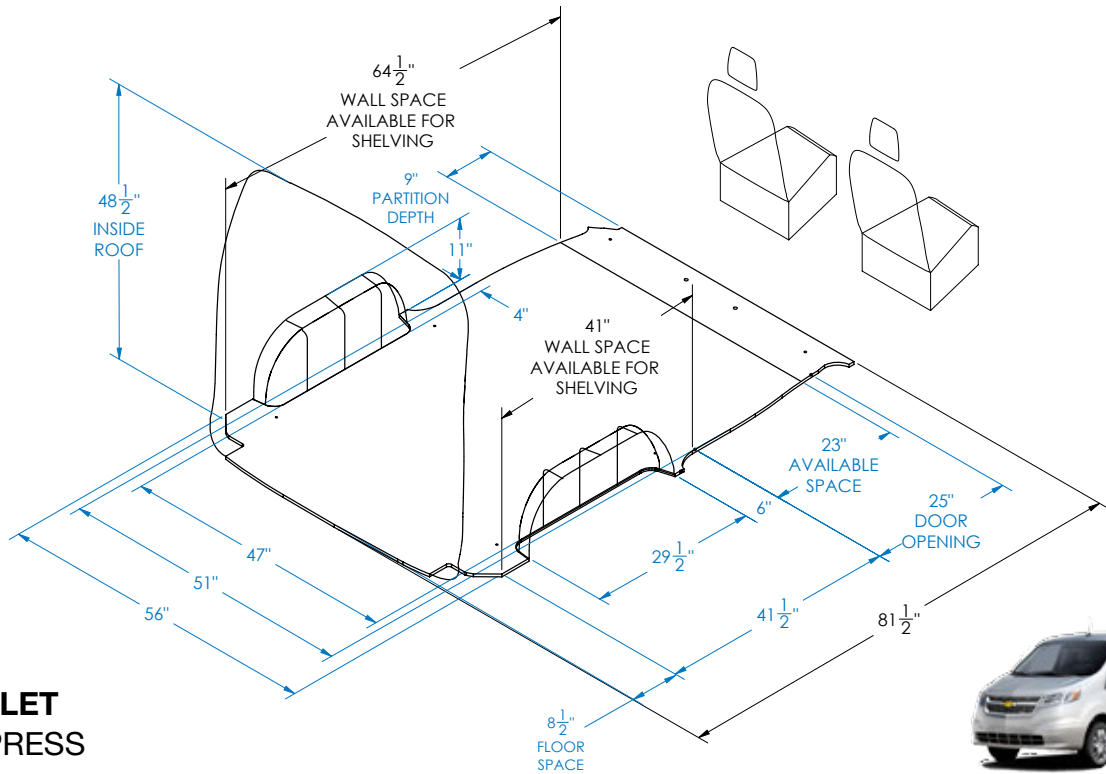
## FLOOR SPACE

This area is usable floor space but due to curvature of the van there may not be the same available area at the roof. Please measure actual van for specific measurement at roof.



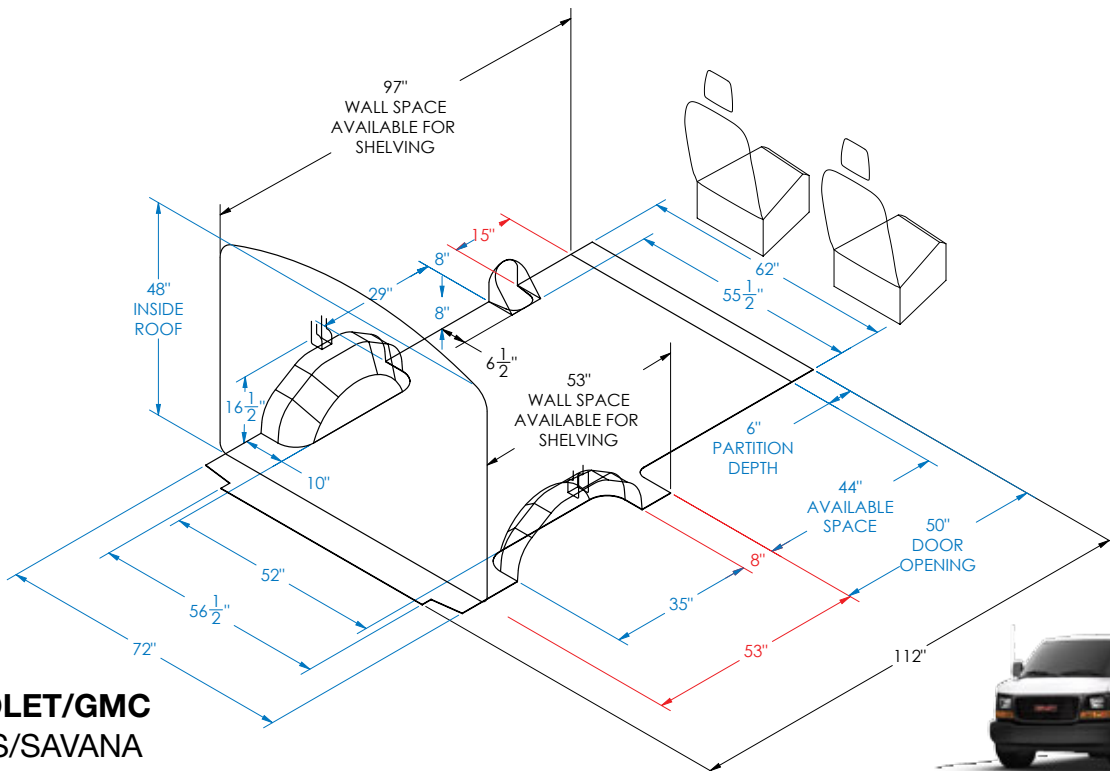
**SAMPLE LAYOUT GUIDE**

Wheelbase



## CHEVROLET CITY EXPRESS

Regular 115" Wheelbase

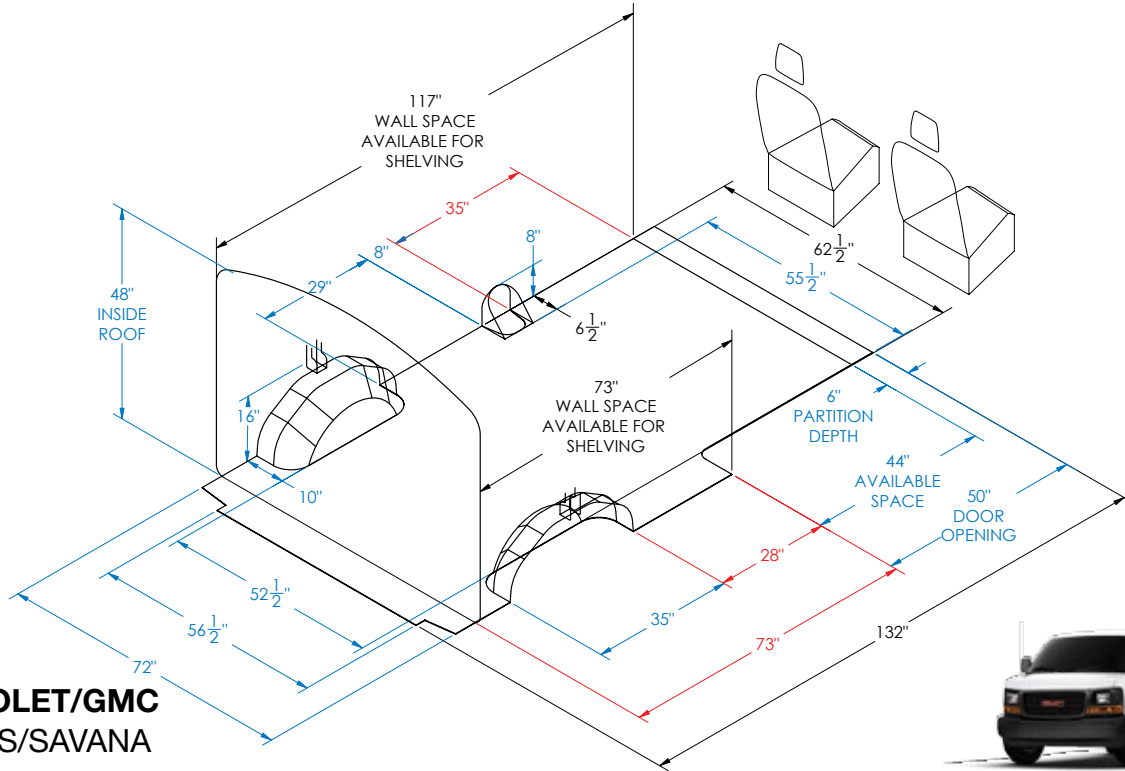


## CHEVROLET/GMC EXPRESS/SAVANA

Regular 135" Wheelbase

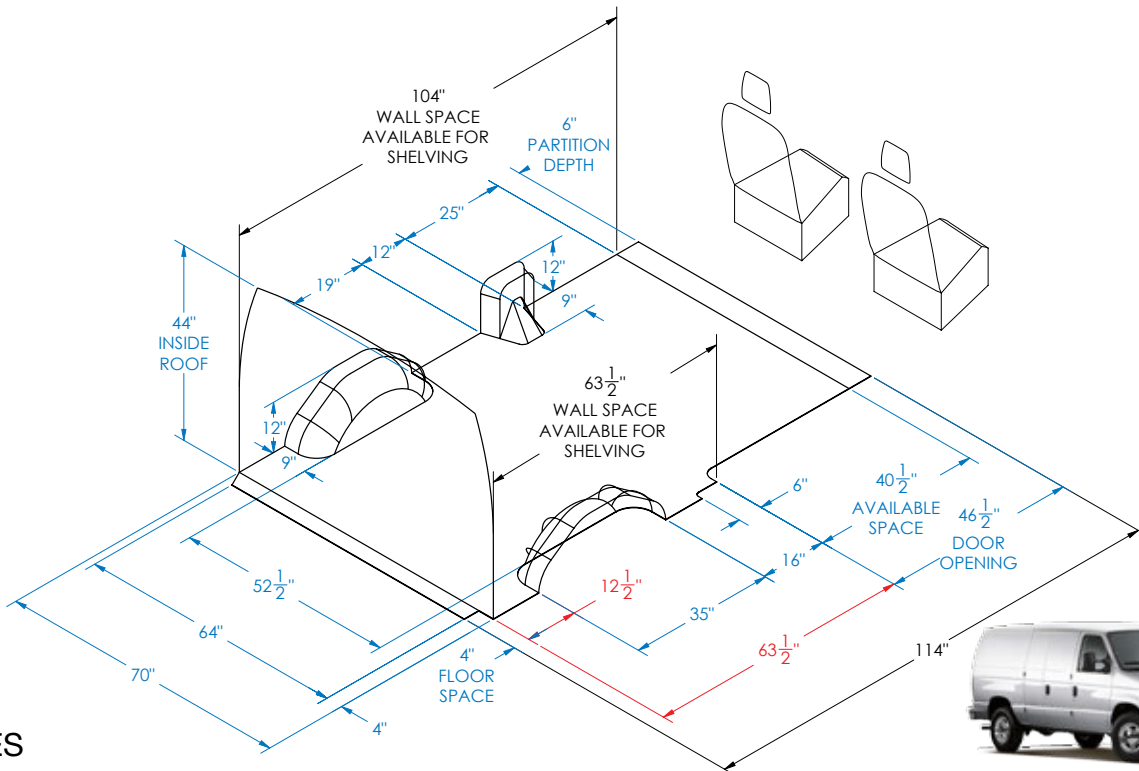


# LAYOUT GUIDES



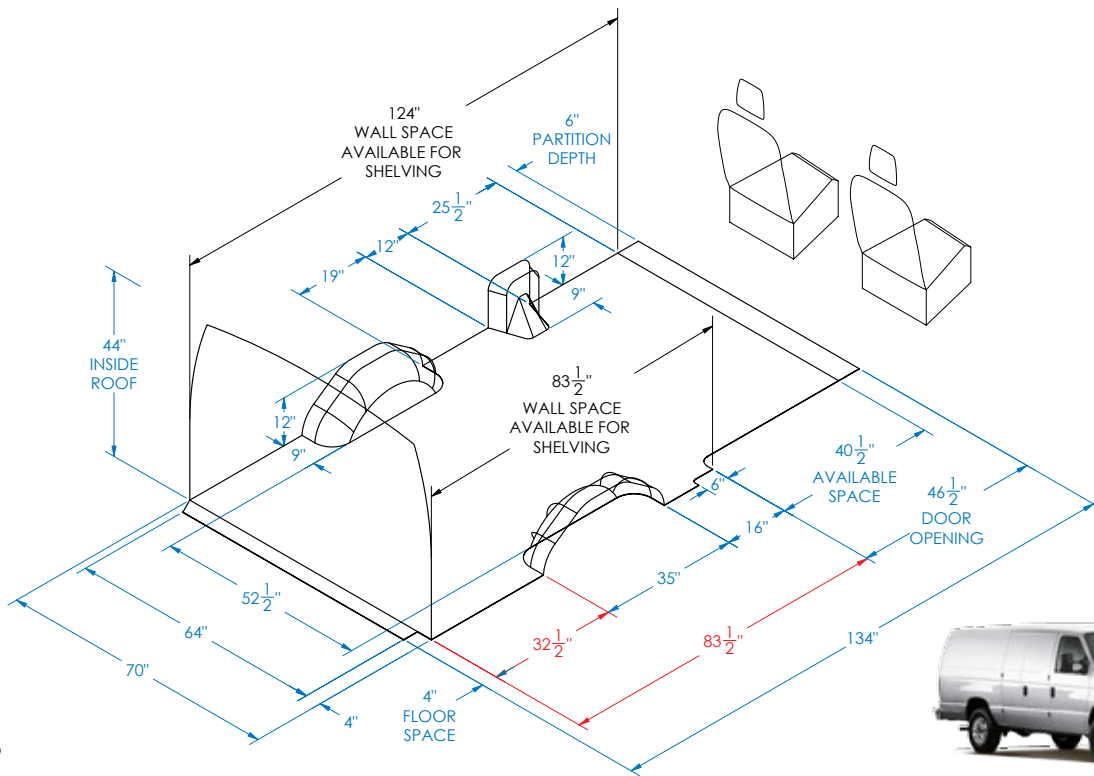
## CHEVROLET/GMC EXPRESS/SAVANA

Extended 155" Wheelbase



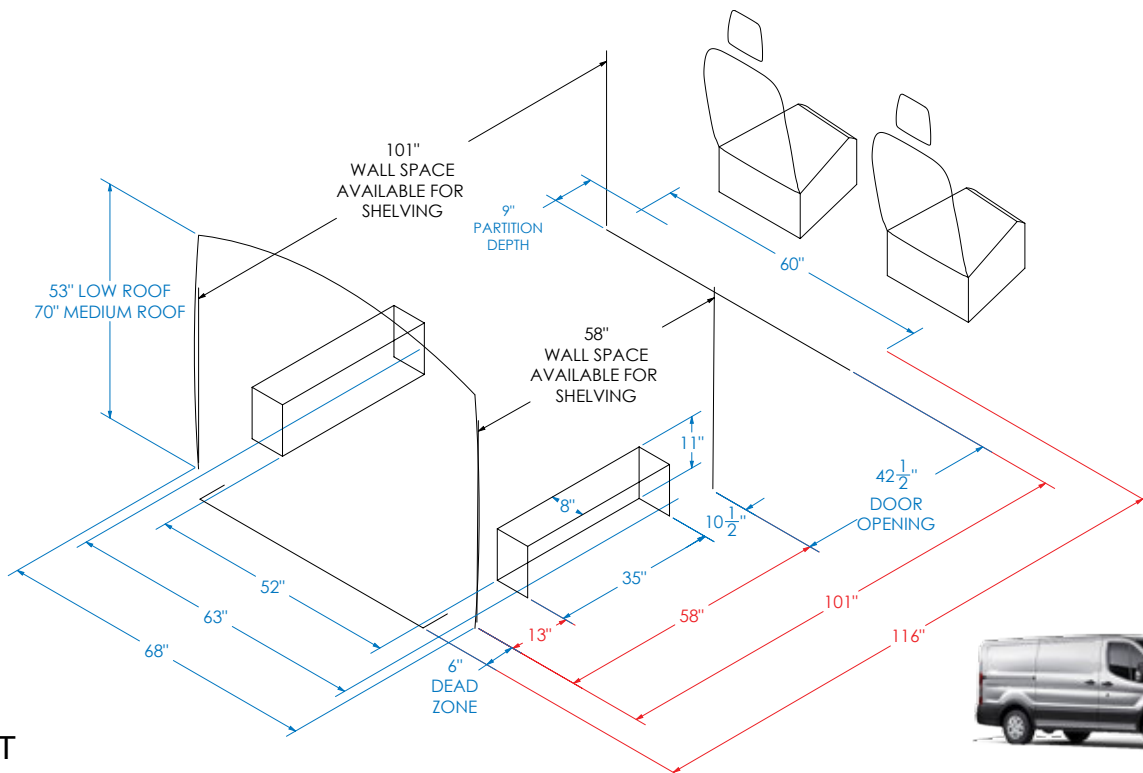
## FORD E-SERIES

Regular 138" Wheelbase



## FORD E-SERIES

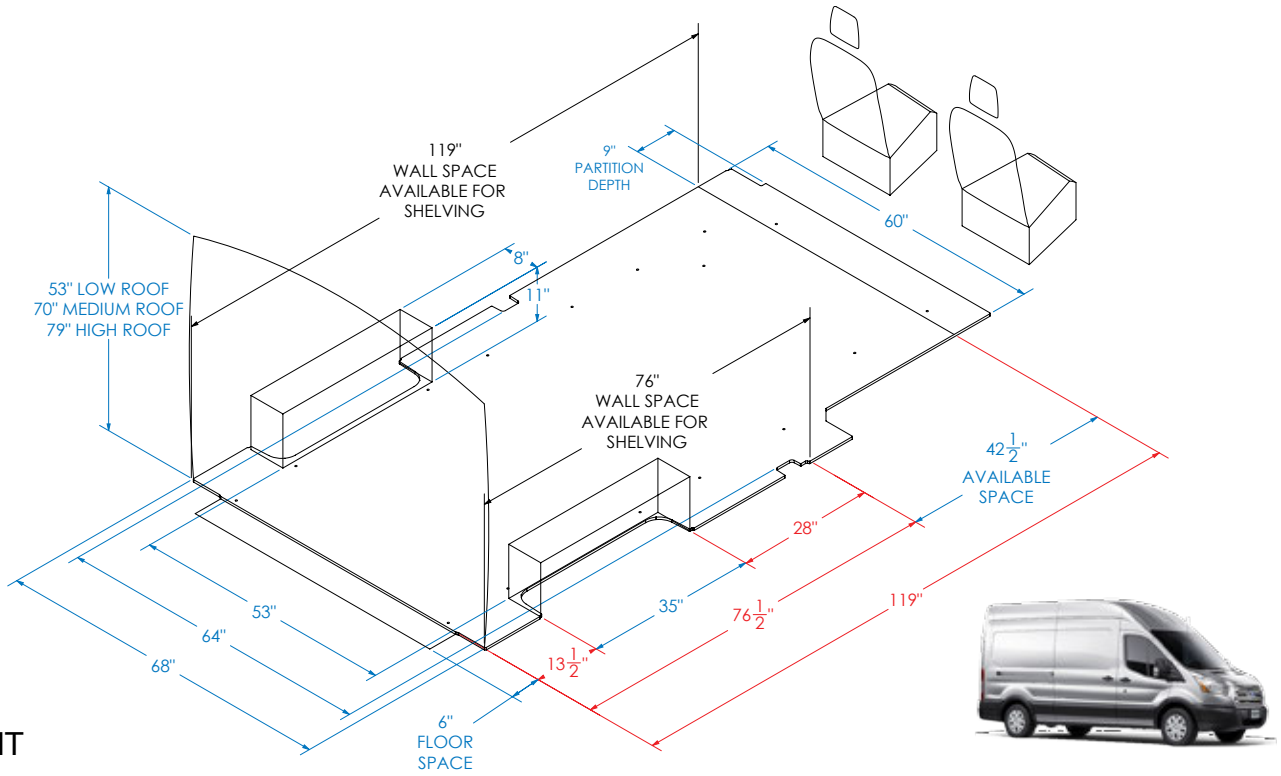
138" Wheelbase Extended



## FORD TRANSIT

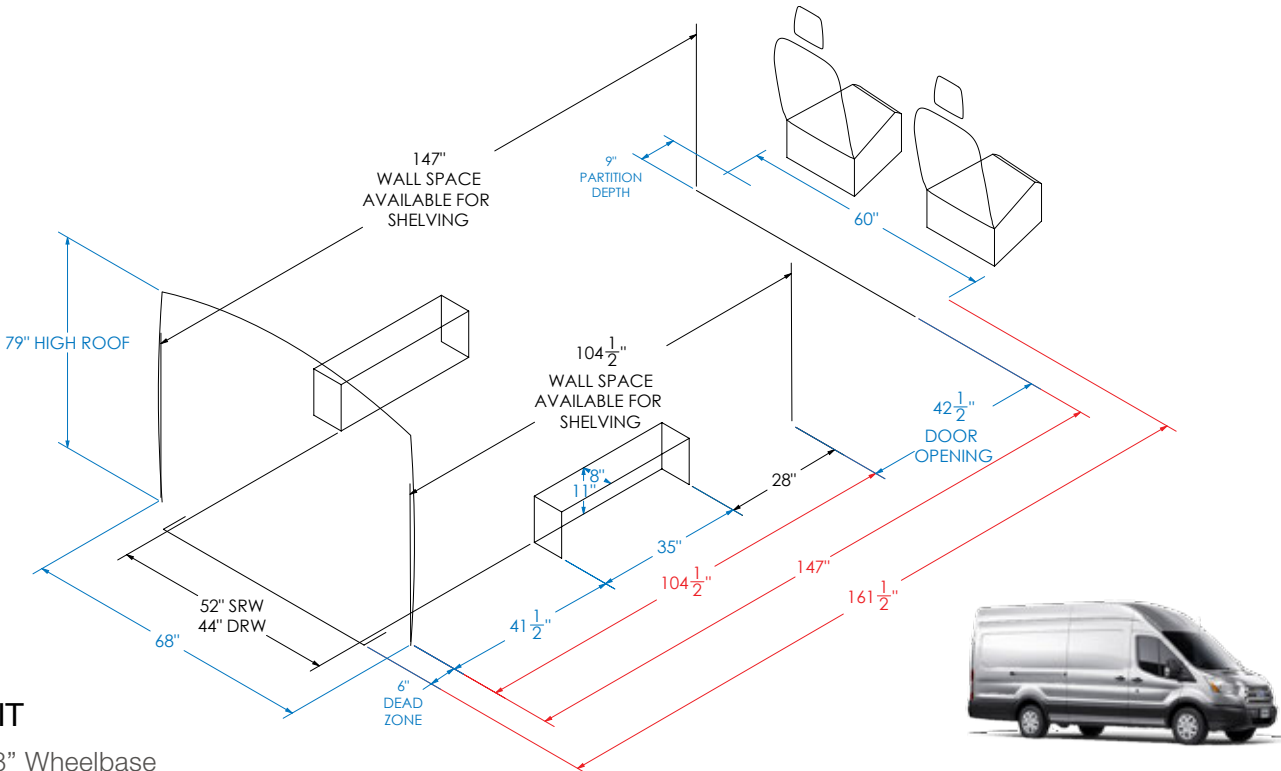
Regular 130" Wheelbase

# LAYOUT GUIDES



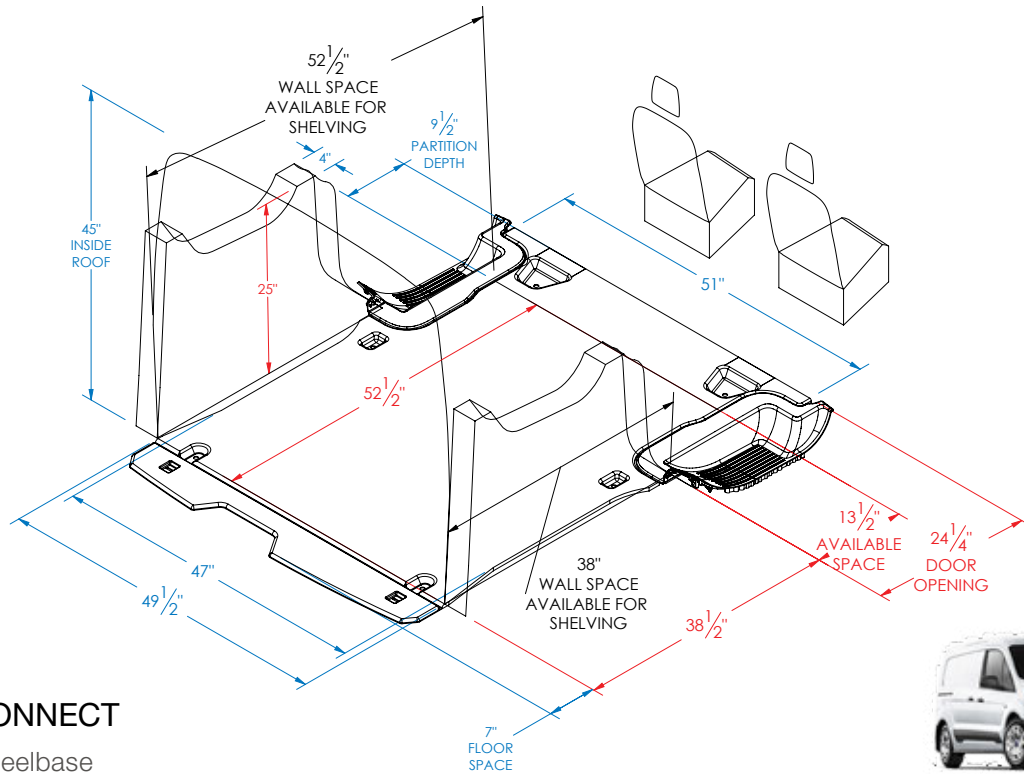
## FORD TRANSIT

Long 148" Wheelbase



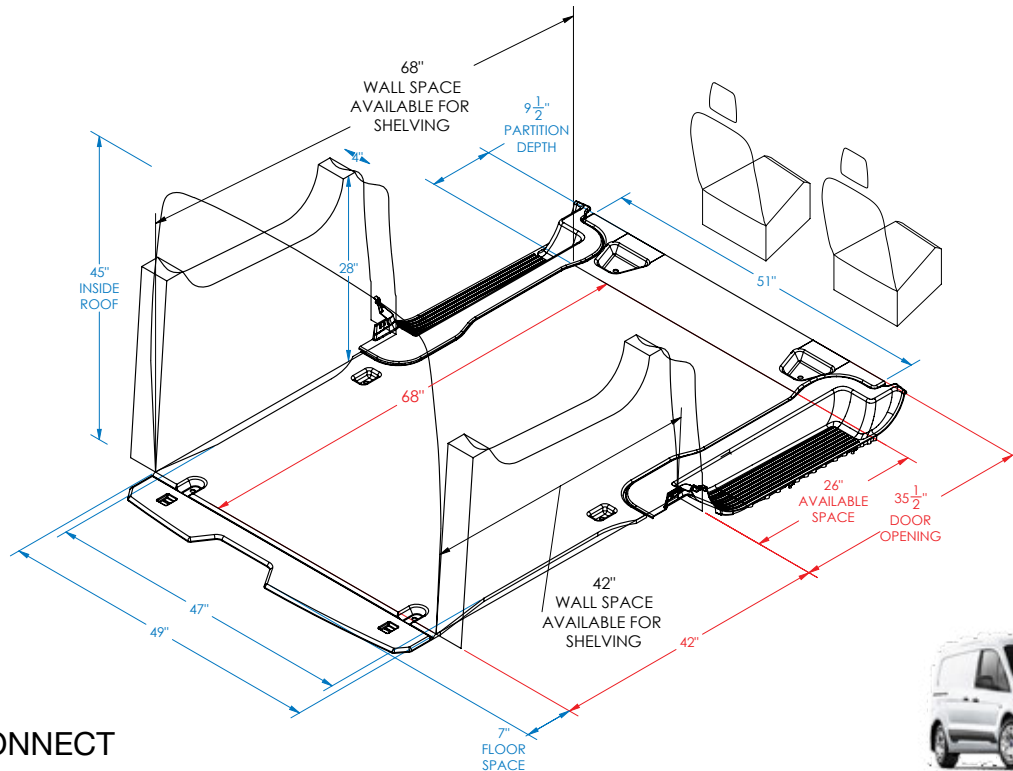
## FORD TRANSIT

Long 148" Wheelbase  
Extended



## FORD TRANSIT CONNECT

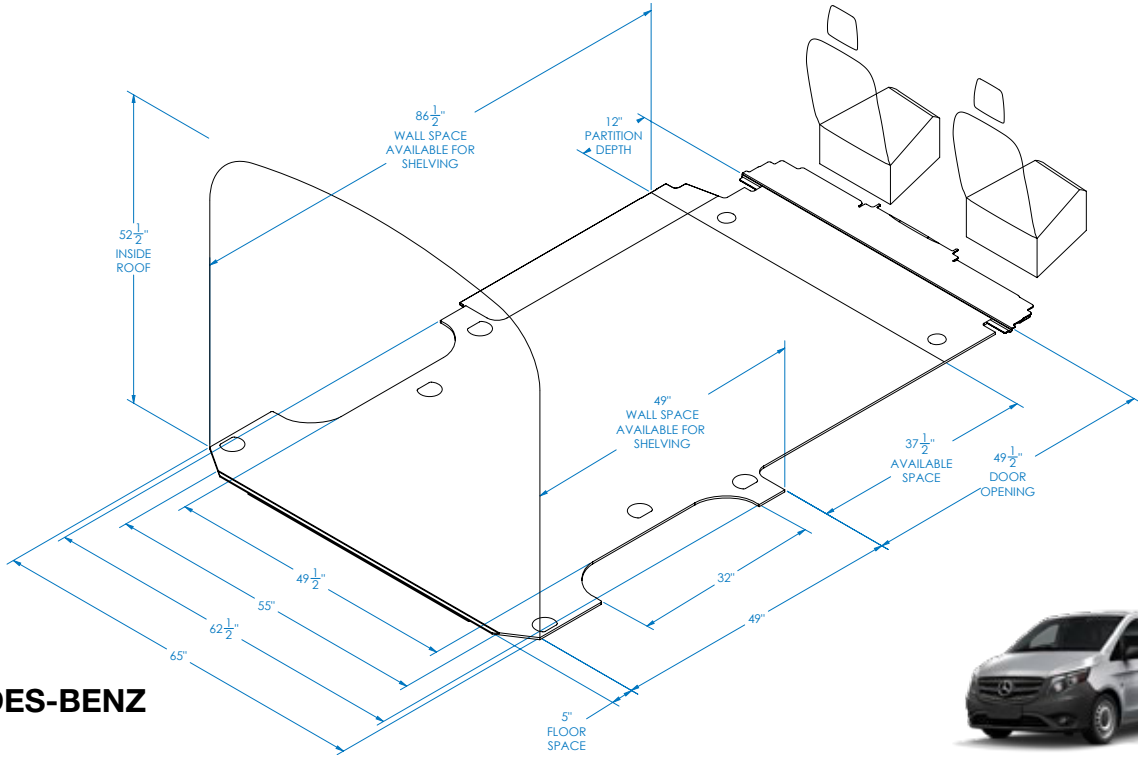
Short 105" Wheelbase  
Available in U.S. only



## FORD TRANSIT CONNECT

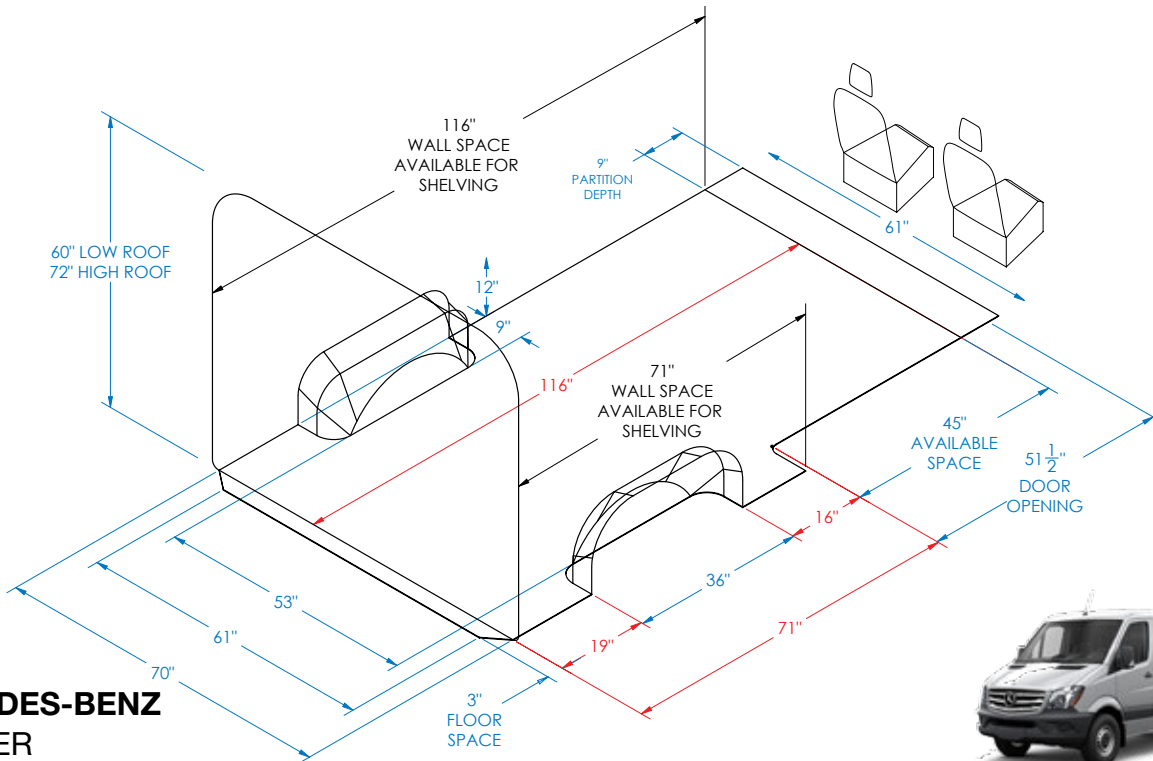
Long 120.5" Wheelbase

# LAYOUT GUIDES



## MERCEDES-BENZ METRIS

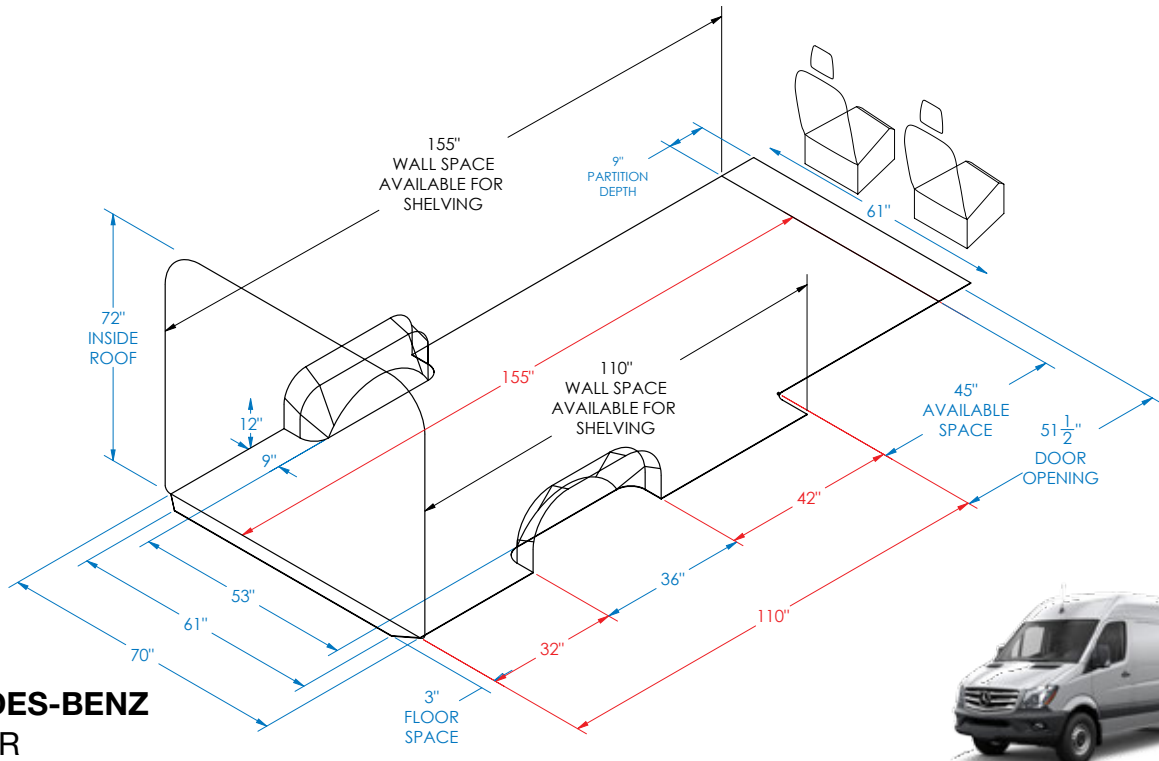
Regular 126" Wheelbase



## MERCEDES-BENZ SPRINTER

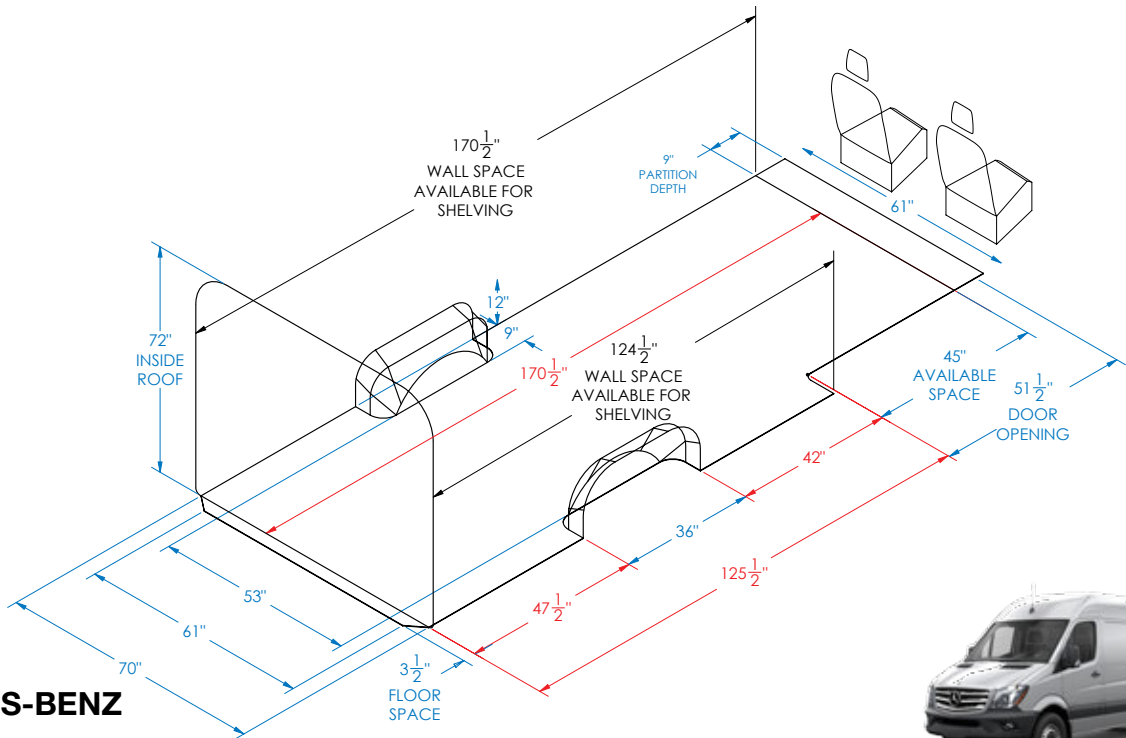
Regular 144" Wheelbase





## MERCEDES-BENZ SPRINTER

Long 170" Wheelbase

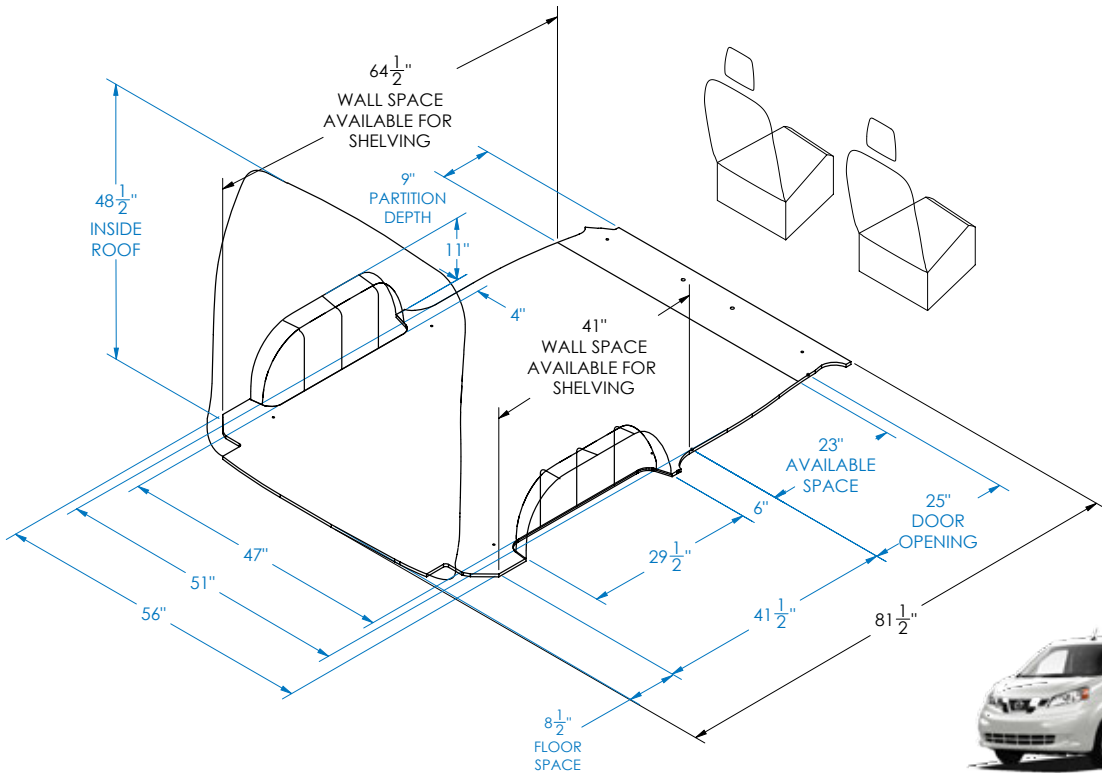
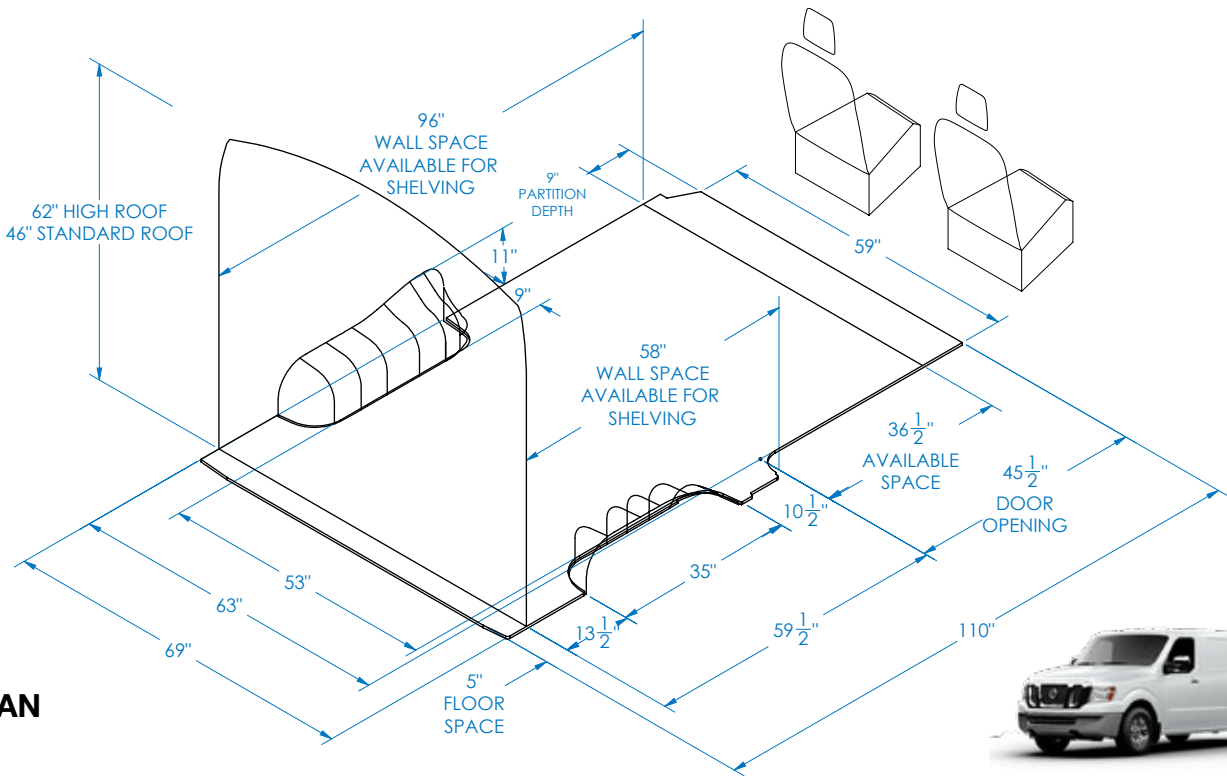


## MERCEDES-BENZ SPRINTER

Extended 170" Wheelbase

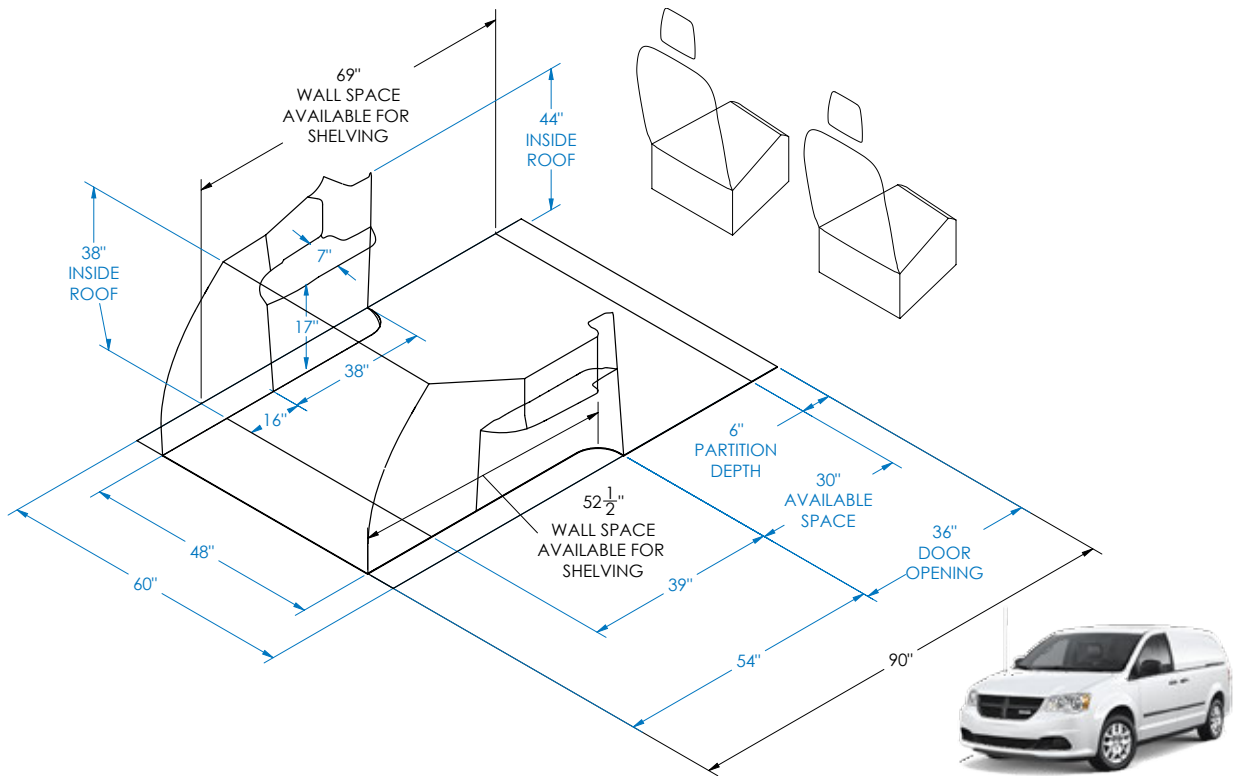


# LAYOUT GUIDES



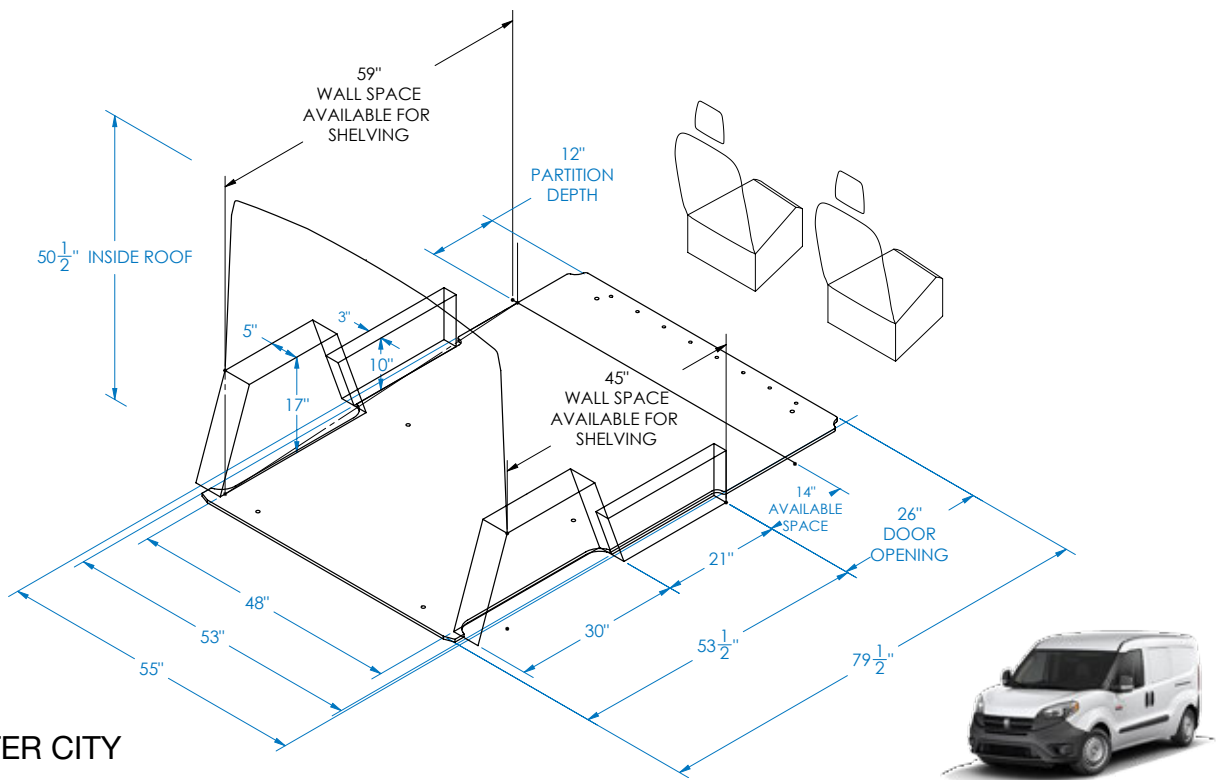
## NISSAN NV200

Regular 115" Wheelbase



## RAM C/V

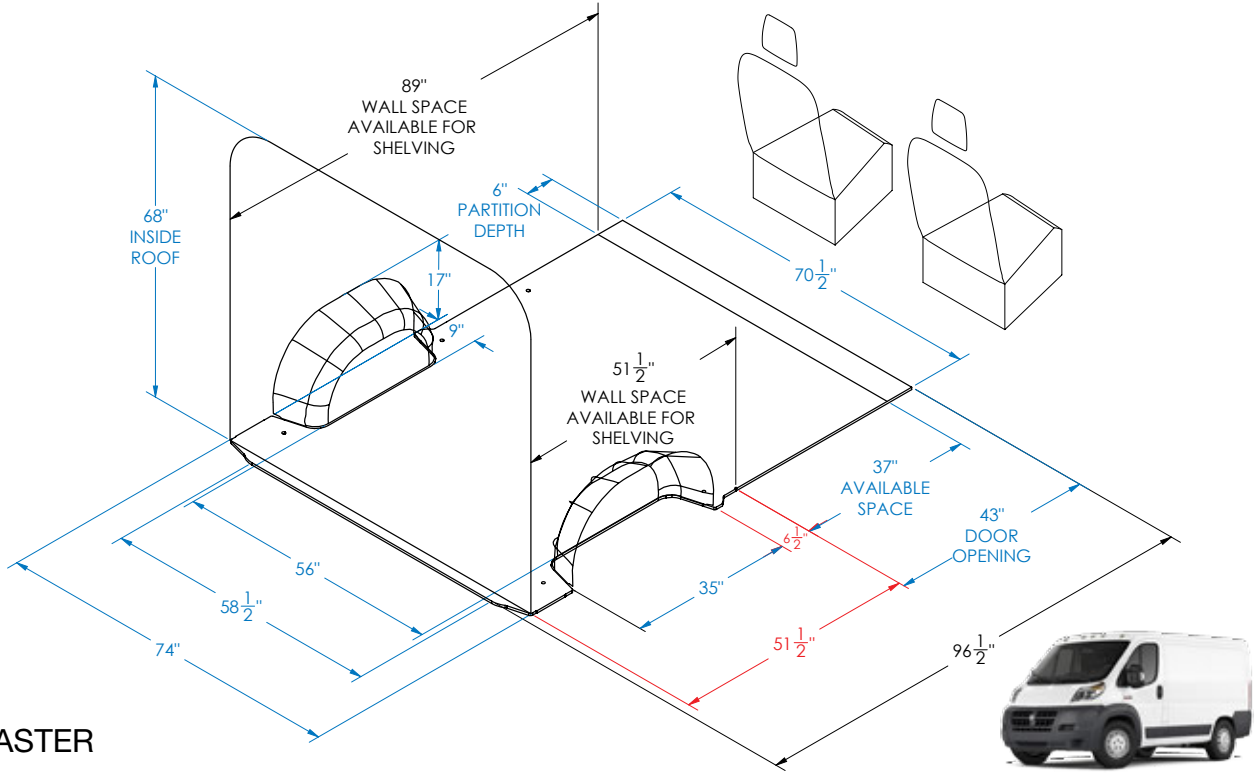
Regular 121" Wheelbase



## RAM PROMASTER CITY

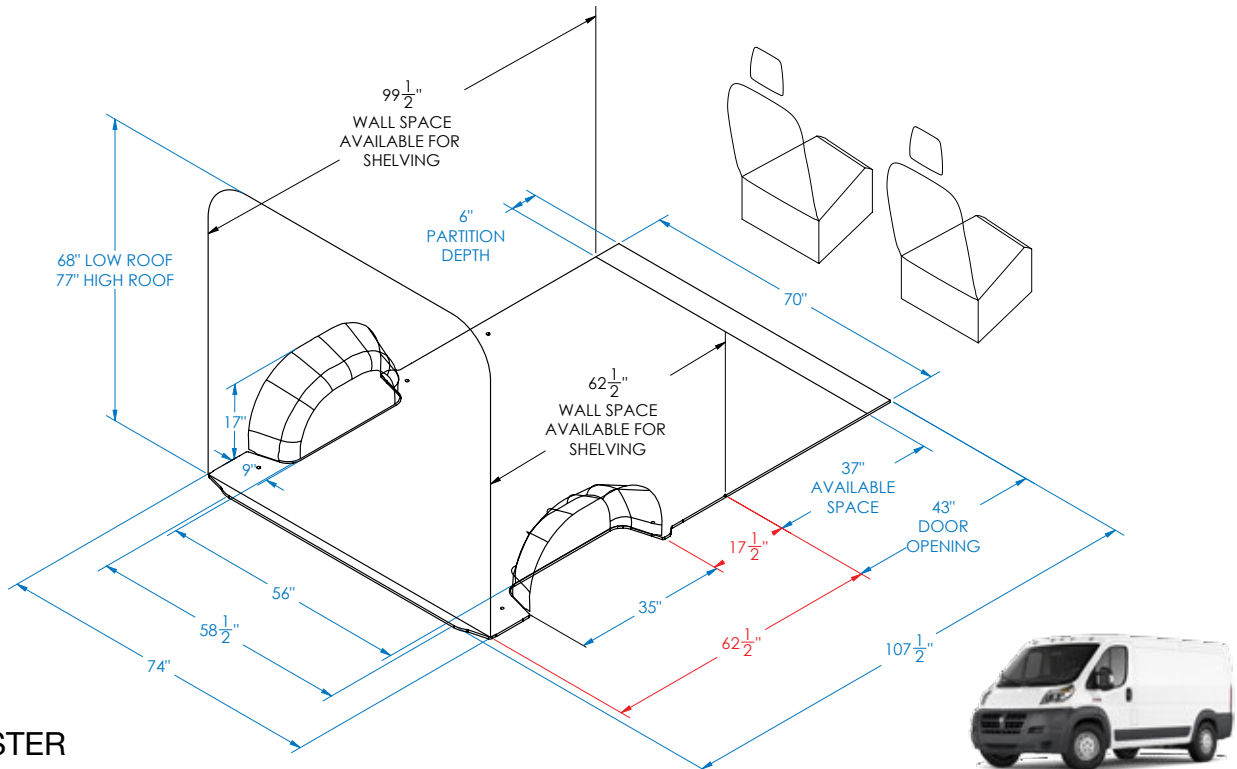
Standard 122" Wheelbase

# LAYOUT GUIDES



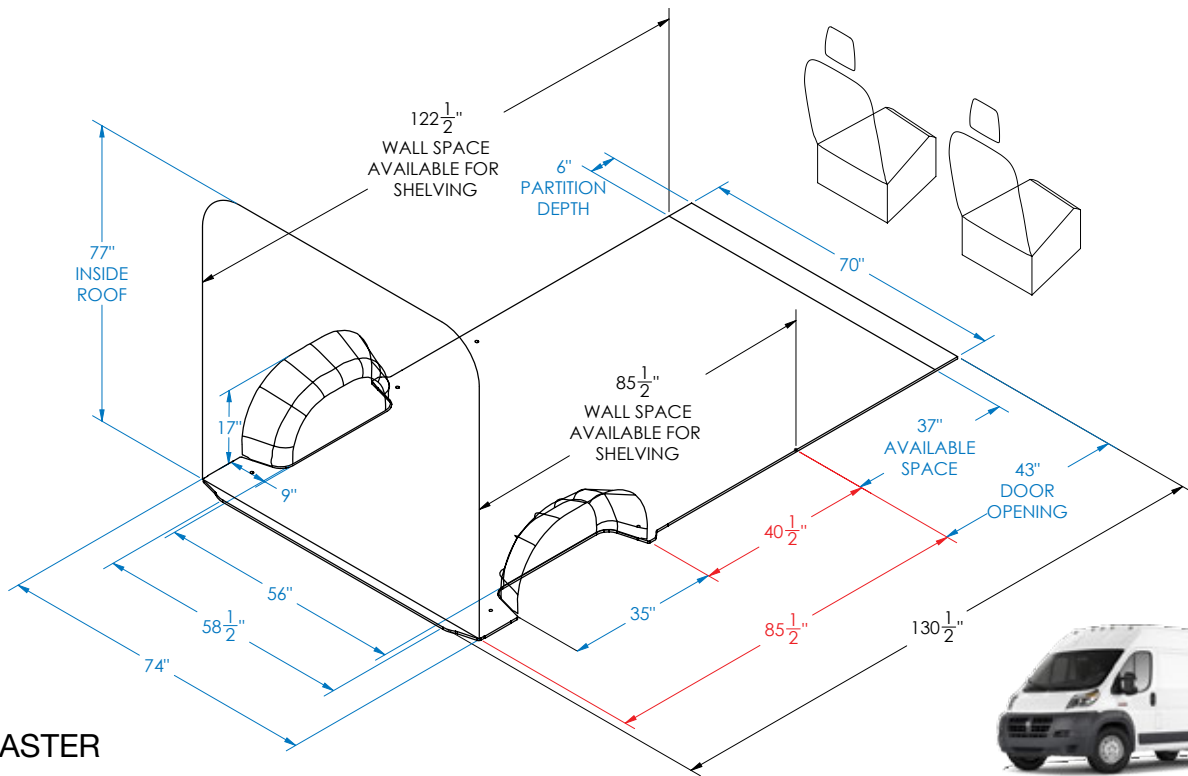
## RAM PROMASTER

Standard 118" Wheelbase



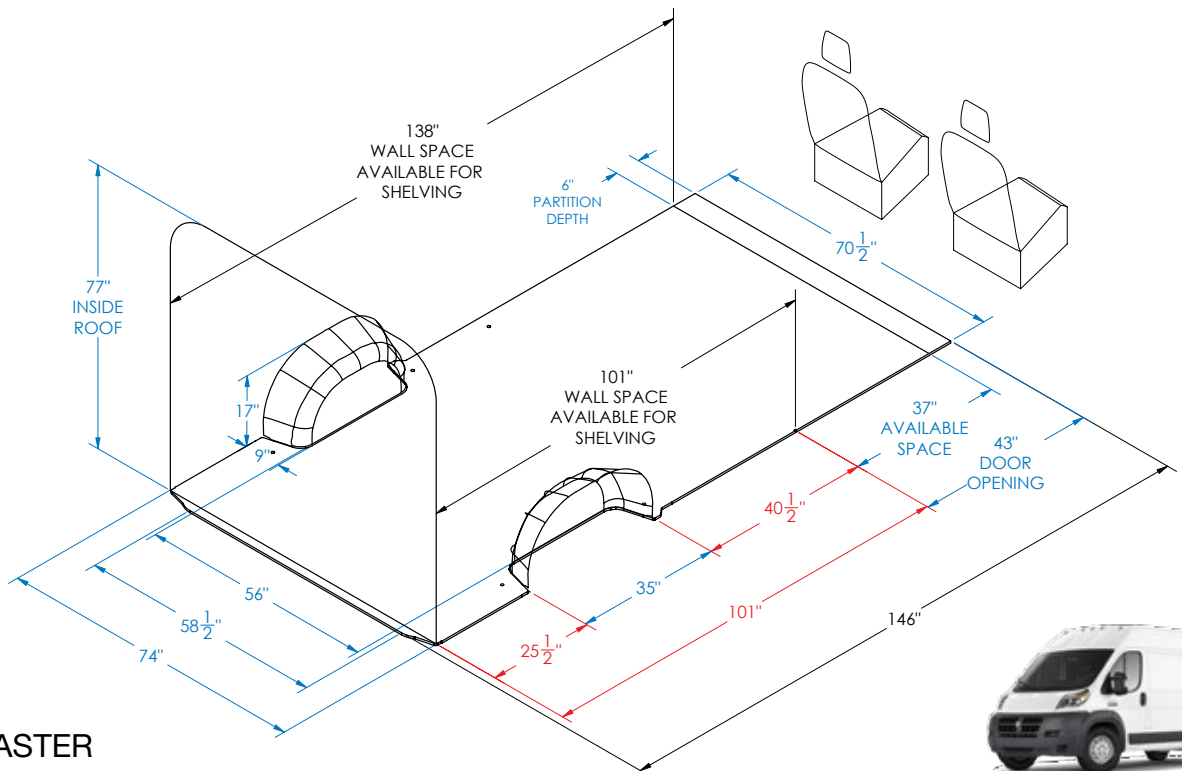
## RAM PROMASTER

Medium 136" Wheelbase



## RAM PROMASTER

Long 159" Wheelbase



## RAM PROMASTER

Extended 159" Wheelbase



# Maximize Cargo Capacity & Vehicle Performance With Contractor Grade, Organized Storage Systems

When you want the perfect upfit solution for your work vehicle, turn to Ranger Design. Crash-tested for toughness, Ranger's shelving and upfits will take whatever abuse you can dish out. Their unsurpassed craftsmanship, combined with ideal fit and finish, provide a quiet ride with no rattles.



## CUSTOMER SERVICE

[cs@rangerdesign.com](mailto:cs@rangerdesign.com)

1-800-565-5321

[www.rangerdesign.com](http://www.rangerdesign.com)



**THE PERFECT FIT**  
FOR YOUR TOUGHEST JOBS